

LED Lamps

## LED Lamps

Series LD

## Series LD

## Technical features

Head material: **Polycarbonate (PC) V0/UL 94**  
 Base material: **Brass nickel plated**  
 Protection degree: **IP40**  
 Working temperature: **20°C +60°C**  
 Operating life at AT 25°C: **> 100.000 h**  
**Not replaceable LEDs**



### Supply voltage +/- 10%

| Power                | Consumption | Current |
|----------------------|-------------|---------|
| 6 Vac/dc             | 15-20mA     | AC/DC   |
| 12 Vac/dc            | 15-20mA     | AC/DC   |
| 28 Vac/dc            | 15-20mA     | AC/DC   |
| 48 Vac/dc            | 15-20mA     | AC/DC   |
| 130 = 110-130 Vac/dc | 15-20mA     | AC/DC   |
| 230 Vac/dc           | 10mA        | AC/DC   |

Other power supplies on request



Integrated Rectifier Bridge to work in Alternating Current (AC) or Direct Current (DC), automatically (BA9s - E10 - MG - BA7s - BA15 - E14 only).



Optional Blinking Light (BA9s - E10 only).



Tropicalization treatment available on request (BA9s - E10 - BA15 - E14 only).



Lamp extractor. Compatible with: BA9s, BA7s, T5.5, T5.5k, MG

Customs tariff: **85389091**

DOMO reserves the right to change, amend, modify, suspend, continue or terminate all or any part of the Product range either in an individual case or in general, at any time without notice.

Compliance:

**Directive 2006/95/EC Low Voltage**  
**Directive 2004/108/EC Electromagnetic Compatibility**  
**Directive 2011/65/EC RhOS**  
**Directive 2006/42/EC Machinery**

Conformity to standards:

**EN 60947.5.1 / EN 60073 / EN 60529 / EN 60068-2-6 / EN 60204.1 / EN ISO 7731 / EN 981 / IEC 536**



# Series LD - BA9s and E10

High luminous intensity - Single chips - large angle - with bridge rectifier - no polarity

### Connections

- BA9s** Bayonet Socket
- E10** Edison Screw Socket

### Symbol and color

- R** Red
- G** Green
- Y** Yellow
- A** Amber
- B** Blue
- W** White

Bridge to work in AC or DC automatically without polarity

Product Code

**LD BA9S R28 AC/DC TR**

Extra Options

### Power supply

- AC/DC
- 6 Vac/dc - 48 Vac/dc
  - 12 Vac/dc - 110-130 Vac/dc
  - 28 Vac/dc - 230 Vac/dc

### Options

- TR** Tropicalization
- LV GP** Low voltage glow protection
- B** Blinking Light (28V only)

## Product range and dimensions

**LD BA9S**  
Weight 2g



**LD E10**  
Weight 2g



- Red
- Green
- Yellow
- Amber
- Blue
- White

- LD BA9S RVxx AC/DC
- LD BA9S GVxx AC/DC
- LD BA9S YVxx AC/DC
- LD BA9S AVxx AC/DC
- LD BA9S BVxx AC/DC
- LD BA9S WVxx AC/DC

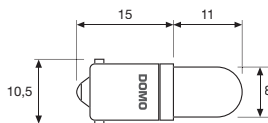
**TR LV GP B** (28V only)

- LD E10 RVxx AC/DC
- LD E10 GVxx AC/DC
- LD E10 YVxx AC/DC
- LD E10 AVxx AC/DC
- LD E10 BVxx AC/DC
- LD E10 WVxx AC/DC

**TR LV GP B** (28V only)

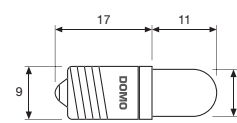
### LD BA9S

Dimensions mm 1:2



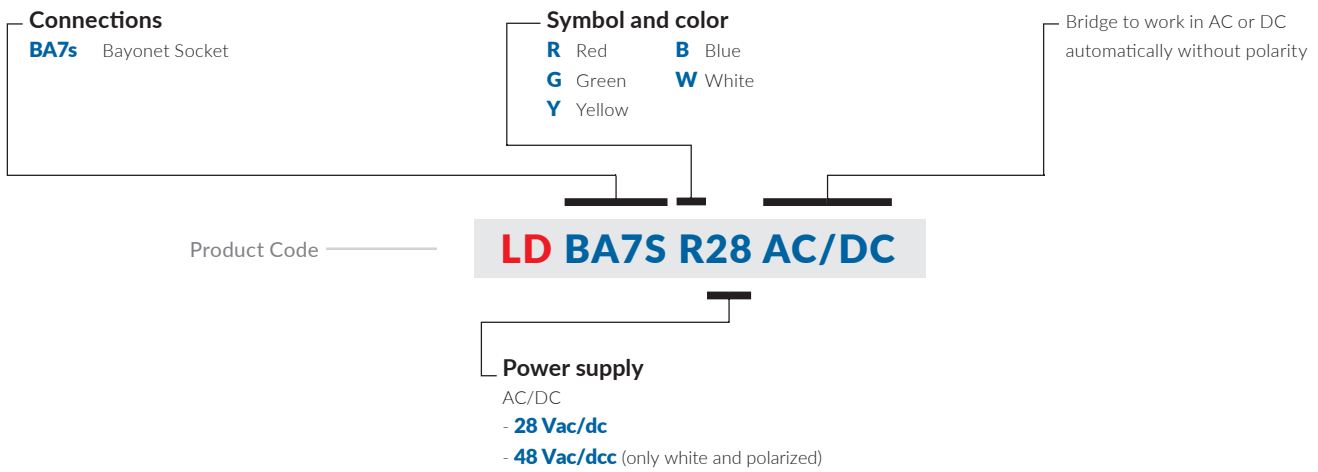
### LD E10

Dimensions mm 1:2



## Series LD - BA7s

High luminous intensity - Single chips - large angle - with bridge rectifier - no polarity



## Product range and dimensions

LD BA7S  
 Weight 1g

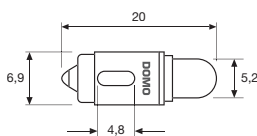


|          |                    |
|----------|--------------------|
| ● Red    | LD BA7S RVxx AC/DC |
| ● Green  | LD BA7S GVxx AC/DC |
| ● Yellow | LD BA7S YVxx AC/DC |
| ● Blue   | LD BA7S BVxx AC/DC |
| ○ White  | LD BA7S WVxx AC/DC |

48V White only and polarized

### LD BA7S

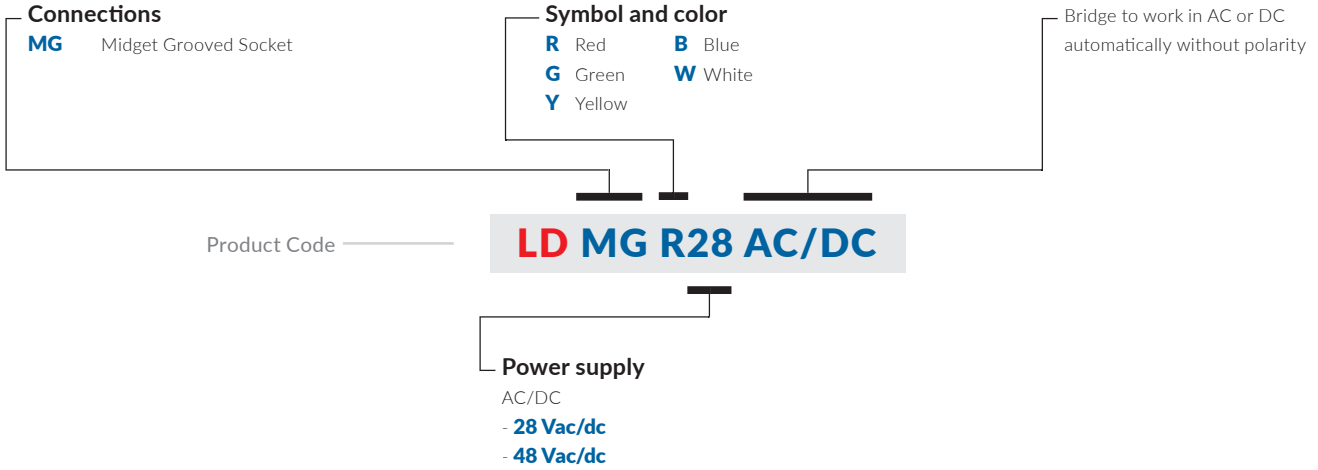
Dimensions mm 1:2





# Series LD - Midget Grooved

High luminous intensity - Single chips - large angle - with bridge rectifier - no polarity



## Product range and dimensions

LD MG Midget Grooved  
Weight 1g

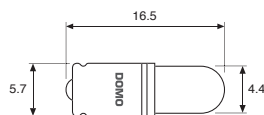


|          |                  |
|----------|------------------|
| ● Red    | LD MG RVxx AC/DC |
| ● Green  | LD MG GVxx AC/DC |
| ● Yellow | LD MG YVxx AC/DC |
| ● Blue   | -                |
| ○ White  | -                |

48V Red, Green, Yellow only

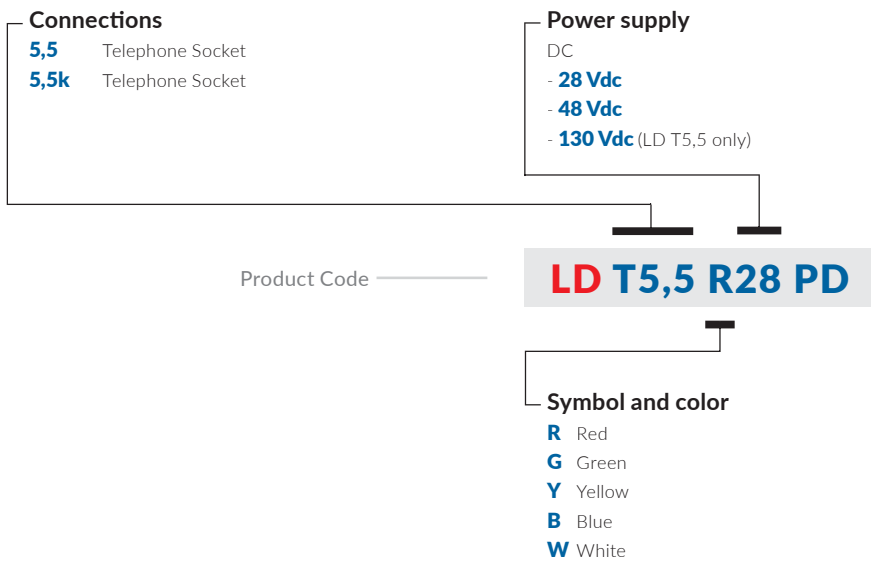
### LD MG

Dimensions mm 1:2



# Series LD - T5,5 and T5,5K

High luminous intensity - Single chips - large angle



## Product range and dimensions

LD T5,5  
Weight 1g



LD T5,5K  
Weight 1g



- Red
- Green
- Yellow
- Blue
- White

LD T5,5 RVxx PD  
LD T5,5 GVxx PD  
LD T5,5 YVxx PD  
LD T5,5 BVxx PD  
LD T5,5 WVxx PD

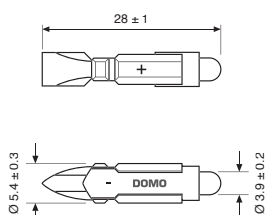
LD T5,5K RVxx PD  
LD T5,5K GVxx PD  
LD T5,5K YVxx PD  
LD T5,5K BVxx PD  
LD T5,5K WVxx PD

no 130V

### LD T5,5

Dimensions mm 1:2

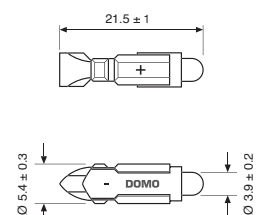
Polarized



### LD T5,5K

Dimensions mm 1:2

Polarized



**Attention!** Please see product range section for the feasibility. Special version on request. DOMO Srl reserves the right to change, amend, modify, suspend, continue or terminate all or any part of the Product range either in an individual case or in general, at any time without notice.



# Series LD - BA15 and E14

High luminous intensity - large angle - with bridge rectifier - no polarity

## BA15d, BA15s and E14 Extra Bright Lamp (12 LED)

### Connections

- BA15d** Bayonet Socket
- BA15s** Bayonet Socket
- E14** Edison Screw Socket

### Power supply

- AC/DC
  - **28 Vac/dc**
  - **48 Vac/dc**
  - **110-130 Vac/dc**
- Alternating Current  
- **240 Vac**

Product Code

**LD BA15d R28 TR**

Extra Options

### Symbol and color

- R** Red
- G** Green
- Y** Yellow
- A** Amber
- B** Blue
- W** White

### Options

- TR** Tropicalization

## Product range and dimensions



Used inside Stack Light  
compact and assembled

**LD BA15d - LD BA15s**  
Weight 10g



**LD E14**  
Weight 10g

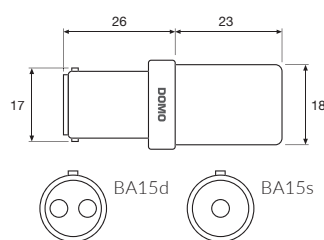


|          |               |               |             |
|----------|---------------|---------------|-------------|
| ● Red    | LD BA15d RVxx | LD BA15s RVxx | LD E14 RVxx |
| ● Green  | LD BA15d GVxx | LD BA15s GVxx | LD E14 GVxx |
| ● Yellow | LD BA15d YVxx | LD BA15s YVxx | LD E14 YVxx |
| ● Amber  | LD BA15d AVxx | LD BA15s AVxx | LD E14 AVxx |
| ● Blue   | LD BA15d BVxx | LD BA15s BVxx | LD E14 BVxx |
| ○ White  | LD BA15d WVxx | LD BA15s WVxx | LD E14 WVxx |



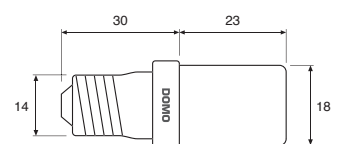
### LD BA15d - LD BA15s

Dimensions mm 1:2



### LD E14

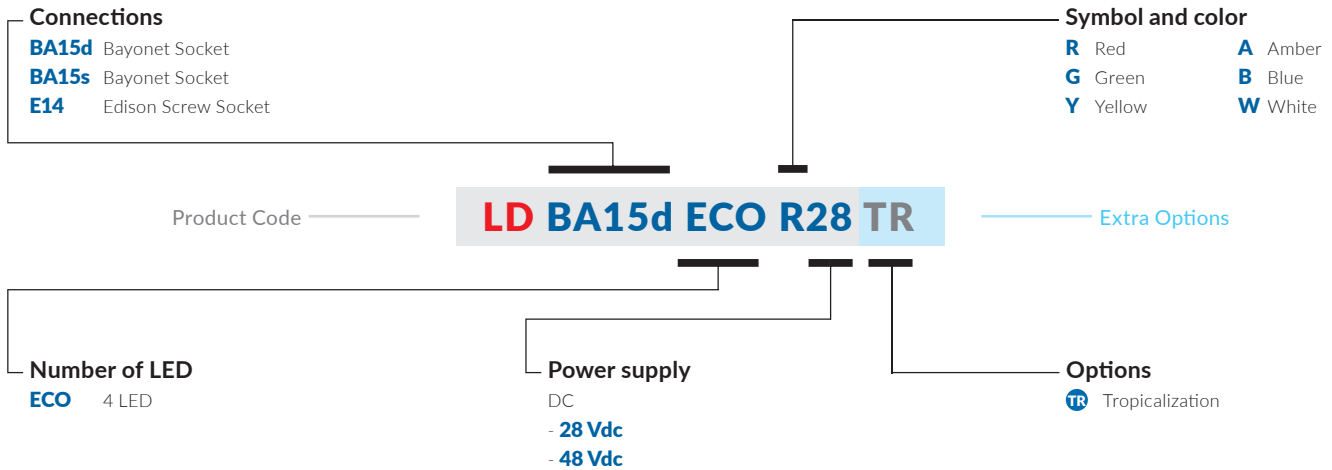
Dimensions mm 1:2



# Series LD - BA15 and E14

High luminous intensity - large angle

## BA15d ECO, BA15s ECO and E14 ECO Lamp (4 LED)



## Product range and dimensions

4 LED

LD BA15d ECO - LD BA15s ECO  
 Weight 7g

LD E14 ECO  
 Weight 7g

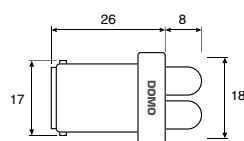


Cemetery application

|          |                   |                   |                 |
|----------|-------------------|-------------------|-----------------|
| ● Red    | LD BA15d ECO RVxx | LD BA15s ECO RVxx | LD E14 ECO RVxx |
| ● Green  | LD BA15d ECO GVxx | LD BA15s ECO GVxx | LD E14 ECO GVxx |
| ● Yellow | LD BA15d ECO YVxx | LD BA15s ECO YVxx | LD E14 ECO YVxx |
| ● Amber  | LD BA15d ECO AVxx | LD BA15s ECO AVxx | LD E14 ECO AVxx |
| ● Blue   | LD BA15d ECO BVxx | LD BA15s ECO BVxx | LD E14 ECO BVxx |
| ○ White  | LD BA15d ECO WVxx | LD BA15s ECO WVxx | LD E14 ECO WVxx |

### LD BA15d - LD BA15s ECO

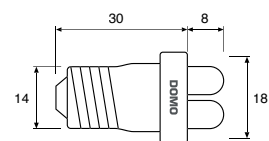
Dimensions mm 1:2



Polarized

### LD E14 ECO

Dimensions mm 1:2



Polarized

**Attention!** Please see product range section for the feasibility. Special version on request. DOMO Srl reserves the right to change, amend, modify, suspend, continue or terminate all or any part of the Product range either in an individual case or in general, at any time without notice.



# Comparative table



| Series                                      | SFT      | SLT      | CR        | PI       | ML       | VEB         | PHR    |  |
|---|----------|----------|-----------|----------|----------|-------------|--------|--|
|   | Sferical | Sferical | Semaphore | Position | Multiled | Extrabright | Beacon |  |
| Page  | 12       | 12       | 26        | 26       | 50       | 64          | 74     |  |
| <b>Function</b>                             |          |          |           |          |          |             |        |  |
| Indicator                                   | •        | •        | •         | •        | •        | •           | •      |  |
| Buzzer                                      |          |          |           |          |          |             |        |  |
| Pushbutton                                  |          |          |           |          |          |             |        |  |
| double pushbutton                           |          |          |           |          |          |             |        |  |
| illuminated pushbutton                      |          |          |           |          |          |             |        |  |
| Emergency mushroom                          |          |          |           |          |          |             |        |  |
| Keylock switch                              |          |          |           |          |          |             |        |  |
| selector switch                             |          |          |           |          |          |             |        |  |
| Emergency for safety                        |          |          |           |          |          |             |        |  |
| <b>Design</b>                               |          |          |           |          |          |             |        |  |
| Protruding                                  | •        | •        | •         | •        | •        | •           | •      |  |
| Flushmounting                               |          |          | •         | •        |          |             |        |  |
| Round                                       | •        | •        | •         | •        | •        | •           | •      |  |
| Square                                      |          |          | •         | •        | •        |             |        |  |
| Rectangular                                 |          |          |           |          |          |             |        |  |
| <b>Front protection (internal test)</b>     |          |          |           |          |          |             |        |  |
| IP40  |          |          |           |          | •        |             |        |  |
| IP54  | •        | •        | •         | •        | •        |             | •      |  |
| IP65  |          |          |           |          | •        | •           |        |  |
| IP67  |          |          |           |          |          |             |        |  |
| <b>Contact rating</b>                       |          |          |           |          |          |             |        |  |
| 10A   |          |          |           |          |          |             |        |  |
| 5A  |          |          |           |          |          |             |        |  |
| <b>Mounting Cut-out</b>                     |          |          |           |          |          |             |        |  |
| Ø8  |          |          |           |          |          |             |        |  |
| Ø12   |          |          |           |          |          |             |        |  |
| Ø16   | •        |          | •         | •        |          | •           | •      |  |
| Ø22   | •        | •        | •         | •        | •        | •           | •      |  |
| <b>Terminal</b>                             |          |          |           |          |          |             |        |  |
| Faston 2,8x0,8                              | •        | •        | •         | •        | •        | •           | •      |  |
| Faston 2,8x0,5                              |          |          |           |          |          |             |        |  |
| Screw                                       | •        | •        | •         | •        | •        | •           | •      |  |
| Push-in (future)                            | F        | F        | F         | F        | F        | F           | F      |  |
| BA9s, Ba7s, E10, MG, BA15d, BA15s, E14      |          |          |           |          |          |             |        |  |
| <b>Marking</b>                              |          |          |           |          |          |             |        |  |
| Paint, Engraving, Film insert               |          |          |           | •        | •        |             |        |  |
| <b>Option</b>                               |          |          |           |          |          |             |        |  |
| Lamp Test (LT)                              | •        | •        | •         | •        | •        |             |        |  |
| Inbuilt Diode to avoid reverse feeding (PD) | •        | •        | •         | •        | •        |             |        |  |
| Tropicalization (TR)                        | •        | •        | •         | •        | •        | •           | •      |  |
| Double input + double lamp test (2C+2LT)    |          |          | •         |          |          |             |        |  |
| Low voltage glow protection (LVGP)          | F        | F        | F         | F        | F        | F           | F      |  |
| RGB color                                   |          | •        |           |          |          |             |        |  |
| Compatible for DOMO Mosaic Mimic            |          |          |           |          |          |             |        |  |
| Protruding                                  | •        | •        | •         | •        | •        | •           | •      |  |
| Flushmounting                               |          |          | •         | •        | •        |             |        |  |

F = Future

