

Data Sheet

652.D.101.05

LED Switch Position Indicators and LED Lights

SUS-01
SUS-02
SUS-95
SUS-99
CSL-99



Application

Switch position indicators and lights are used to indicate the switching state in electrical installations.

The **SUS-01/02/95/99/99-GS** switch position indicators and the **CSL-99** lights are equipped with LEDs in various colors. They can be used for operation in mimic circuit diagrams of switch gears as well as in measuring and control panels.

Type	Round	Square	LED Test	Bar LEDs	Front size
SUS-01	*	Q	T	–	25 mm
SUS-02	*	Q	T	–	20 mm
SUS-95	*	Q	–	L	39 mm
SUS-99	*	Q	–	L	32 mm
SUS-99-GS	*	–	–	–	30 mm
CSL-99	*	–	–	–	28 mm

Functional Principle

Colored LEDs are energized by various terminals.

Mechanical Data

connection	SUS/CSL ...	SUS ... T			
	max. 1.5 mm ²	connectorblades	2.8x0.8x7.0		
enclosure code	SUS/CSL ...	SUS ... T			
case	IP 65	IP 65			
terminals	IP 20	IP 00			
mounting hole	SUS-01/95/99, CSL-99		SUS-02		
	ø 22 mm		ø 16 mm		
hole distance min.	SUS-01	SUS-02	SUS-95	SUS-99	CSL-99
	30 mm	25 mm	40 mm	33 mm	31 mm
panel thickness max.	SUS ...		CSL-99		
	12 mm		10 mm		

Electrical Data

Operating voltage	12 V AC, DC up to 230V AC, DC
rated current	max. 20 mA

Indication

Illumination colors	single color or combinations of red, green, blue, white, yellow, orange
illumination strength	depends on the LEDs used
life time	min. 100,000 hours

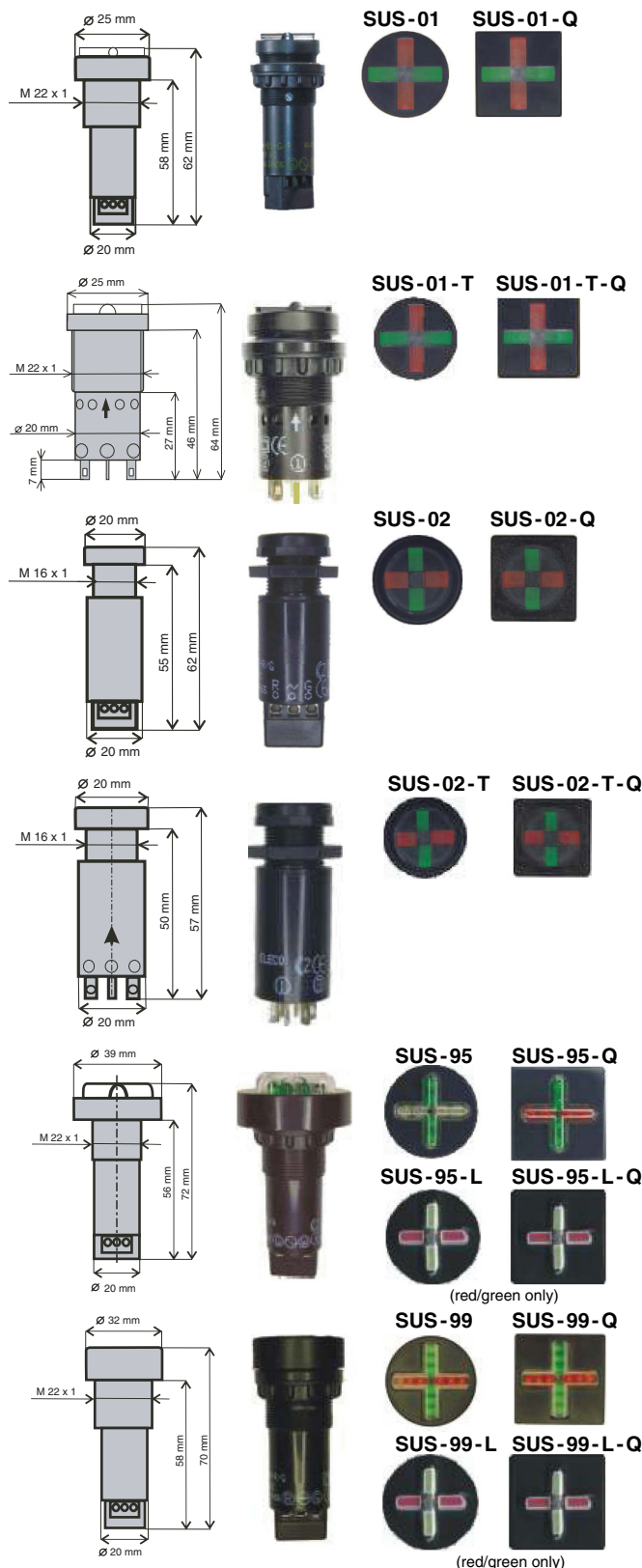
Environmental

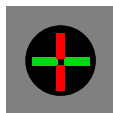
working temperature	–25 ... +60° C
----------------------------	----------------

Rules and Standards

EN 61 010-1	Safety requirements for electrical measuring, control and laboratory equipment – Part 1: General requirements
EN 60598-1	Luminaires – Part 1: General requirements and tests
EN 60598-2-2	Luminaires – Part 2–2: Particular requirements – Recessed luminaires

Models/Dimensions

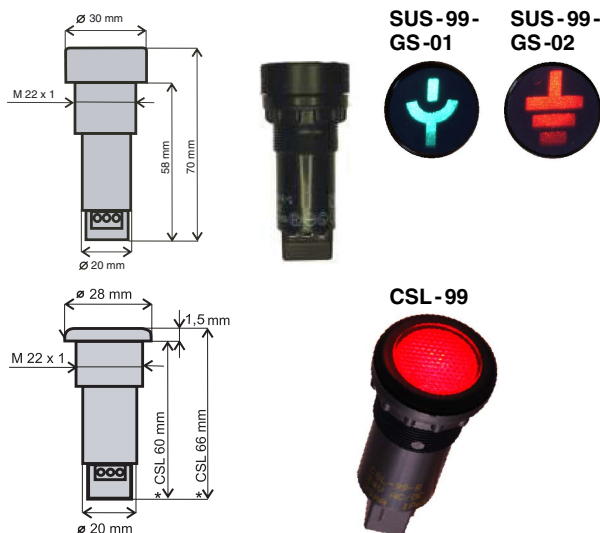




Data Sheet

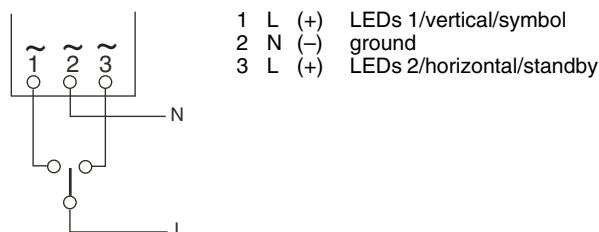
652.D.101.05

LED Switch Position Indicators and LED Lights

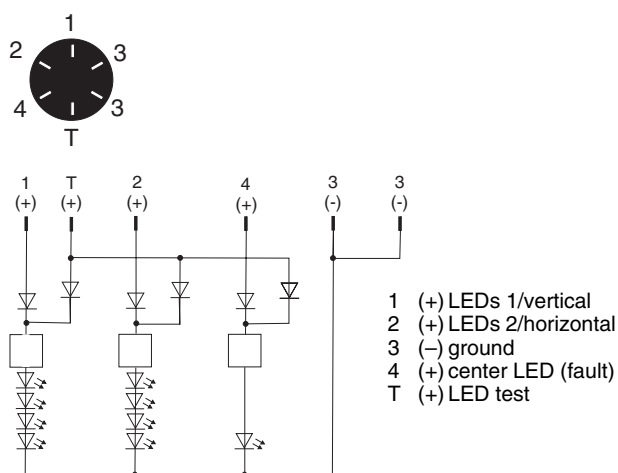


Terminals/Connections

SUS-01/02/95/99/99-GS, CSL-99



SUS-01/02-T



Options

flashing LEDs

Suppression of inductive surge voltages

Ordering Information

Type	LED Switch Position Indicator																								
SUS-01	round, \varnothing 25 mm																								
SUS-01-Q	square, 25 mm x 25 mm																								
SUS-01-T	round, \varnothing 25 mm, with LED test																								
SUS-01-T-Q	square, 25 mm x 25 mm, with LED test																								
SUS-02	round, \varnothing 20 mm																								
SUS-02-Q	square, 20 mm x 20 mm																								
SUS-02-T	round, \varnothing 20 mm, with LED test																								
SUS-02-T-Q	square, 20 mm x 20 mm, with LED test																								
SUS-95	round, \varnothing 39 mm																								
SUS-95-Q	square, 39 mm x 39 mm																								
SUS-95-L	round, \varnothing 39 mm, with bar LEDs																								
SUS-95-L-Q	square, 39 mm x 39 mm, with bar LEDs																								
SUS-99	round, \varnothing 32 mm																								
SUS-99-Q	square, 32 mm x 32 mm																								
SUS-99-L	round, \varnothing 32 mm, with bar LEDs																								
SUS-99-L-Q	square, 32 mm x 32 mm, with bar LEDs																								
SUS-99-GS-01	round, \varnothing 30 mm, with interruption symbol and standby LED																								
SUS-99-GS-02	round, \varnothing 30 mm, with grounding symbol and standby LED																								
CSL-99	round, \varnothing 28 mm																								
<table border="0"> <thead> <tr> <th>LEDs1/vertical¹⁾</th> <th>LEDs2/horizontal¹⁾</th> <th>Center LED²⁾</th> </tr> </thead> <tbody> <tr> <td>R red</td> <td>R red</td> <td>R red</td> </tr> <tr> <td>G green</td> <td>G green</td> <td>G green</td> </tr> <tr> <td>B blue</td> <td>B blue</td> <td>B blue</td> </tr> <tr> <td>W white</td> <td>W white</td> <td>W white</td> </tr> <tr> <td>Y yellow</td> <td>Y yellow</td> <td>Y yellow</td> </tr> <tr> <td>O orange</td> <td>O orange</td> <td>O orange</td> </tr> <tr> <td>xF flashing³⁾</td> <td>xF flashing³⁾</td> <td>-</td> </tr> </tbody> </table>		LEDs1/vertical ¹⁾	LEDs2/horizontal ¹⁾	Center LED ²⁾	R red	R red	R red	G green	G green	G green	B blue	B blue	B blue	W white	W white	W white	Y yellow	Y yellow	Y yellow	O orange	O orange	O orange	xF flashing ³⁾	xF flashing ³⁾	-
LEDs1/vertical ¹⁾	LEDs2/horizontal ¹⁾	Center LED ²⁾																							
R red	R red	R red																							
G green	G green	G green																							
B blue	B blue	B blue																							
W white	W white	W white																							
Y yellow	Y yellow	Y yellow																							
O orange	O orange	O orange																							
xF flashing ³⁾	xF flashing ³⁾	-																							
Voltage																									
12	12 V																								
24	24 V																								
60	60 V																								
110	110 V ⁴⁾																								
125	125 V ⁴⁾																								
220	220 V ⁴⁾																								
230	230 V ⁴⁾																								
xx	other voltages on request																								
Voltage type																									
AC	AC voltage																								
DC	DC voltage																								
Suppression of inductive surge voltages																									
P30	up to 30 V ⁵⁾																								
P60	up to 60 V																								
P80	up to 80 V																								
P100	up to 100 V																								
P120	up to 120 V																								

1) for SUS-95/99-L only red and/or green

2) SUS-01/02-T only

3) optional, not for SUS-01/02-T

4) with SUS-95/99-L: DC voltages ≥ 110 V with external resistance

5) standard with voltage 230 V aC

Ordering example

SUS-02-T-Q-R/G-230AC P60

LED switch position indicator, square, 20 mm x 20 mm, with LED test, red/green, 230 V AC, with suppression of inductive surge voltages up to 60 V

SUS-01-RF/G-230AC LED switch position indicator, round, \varnothing 25 mm, red flashing/green, 230 V AC

Weigel Meßgeräte GmbH

Postfach 720 154 • 90241 Nürnberg • Phone: 0911/42347-0
Erlenstraße 14 • 90441 Nürnberg • Fax: 0911/42347-39
Sales: Phone: 0911/42347-94
Internet: <http://www.weigel-messgeraete.de>
e-mail: vertrieb@weigel-messgeraete.de

– specifications subject to change without notice; date of issue 03/11 –

